



## 7 Series Forklifts

### Pneumatic Diesel 10 to 16 ton Series

EPA Tier IV / Euro Stage IV



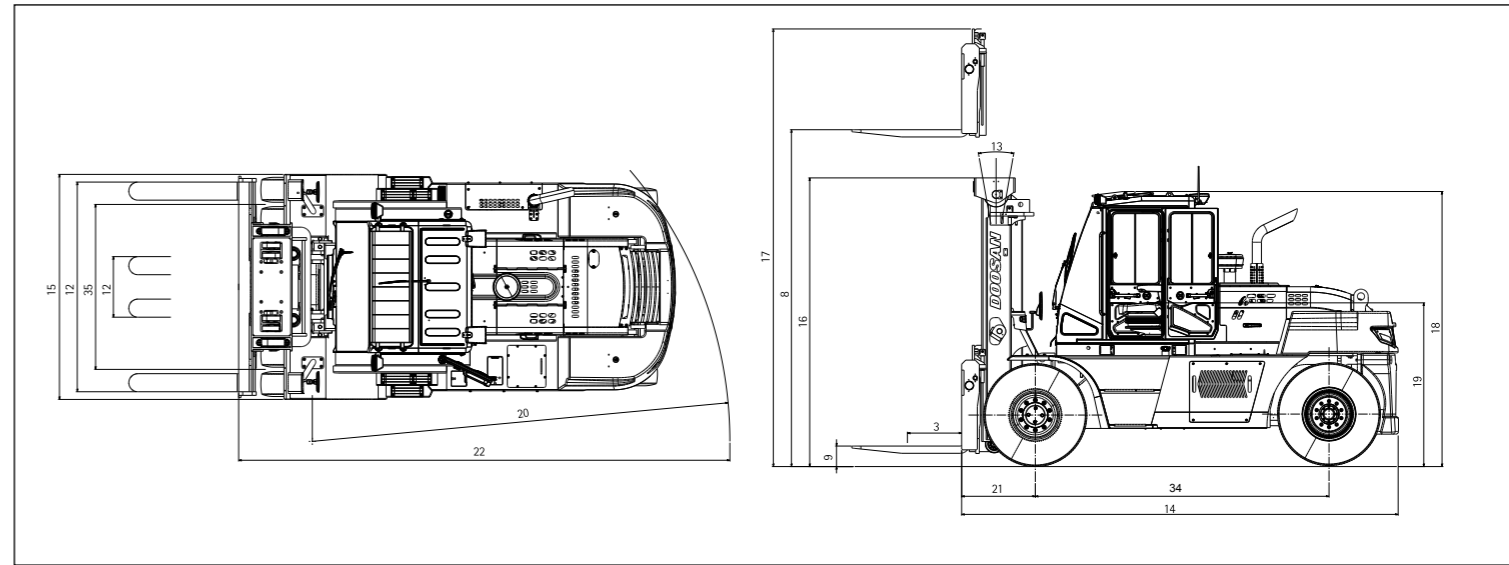
*Lifting Your Dreams*

# GENERAL SPECIFICATION

CHARACTERISTICS			Tier IV / Stage IV				
1	Model		D100S-7	D120S-7	D140S-7	D160S-7	
2	Capacity	at rated load center	kg	10000	12000	14000	16000
3	Load center	Distance	mm	600	600	600	600
4	Power type	Electric, Diesel, Gasoline, LP-Gas		Diesel	Diesel	Diesel	Diesel
5	Operator type	Stand-on, Rider-seated		Rider-seated	Rider-seated	Rider-seated	Rider-seated
6	Tire type	P=pneumatic, E=solid		P/E	P/E	P/E	P/E
7	Wheels(x=driven)	Number, front/rear		x4/2	x4/2	x4/2	x4/2
DIMENSIONS							
8	Maximum fork height	with STD 2-stage mast	mm	3000	3000	3000	3000
9	Free lift		mm	0	0	0	0
10	Fork carriage	ISO class		-	-	-	-
11	Forks	Thickness x Width x Length	mm	70x200x1350	80x200x1350	85x200x1350	85x200x1350
12		Fork spacing(min X Max)	mm	470x2140	470x2140	470x2290	470x2290
13	Tilt of mast	Forward / Backward	deg	15/12	15/12	15/12	15/12
14	Overall Dimensions	Length to forkface	mm	4490	4505	4830	4830
15		Width	mm	2350	2350	2490	2490
16		Mast lowered height	mm	2970	2970	3170	3170
17		Mast extended height	mm	4470	4470	4670	4670
18		Overhead guard height(Cabin)	mm	2890(2990)	2890(2990)	2950(3050)	2950(3050)
19	Seat height	mm	1455	1455	1526	1526	
20	Minimum outside Turning Radius		mm	4290	4290	4620	4620
21	Load moment constant		mm	755	770	815	815
22	90°stacking aisle (add load length and clearance)		mm	5045	5060	5435	5435
PERFORMANCE							
23	Speed	Ttravel, load/unload	km/h	34/37	33/36	26/30	25/29
24		Lift, load/unload	mm/s	410/470	400/470	370/430	360/430
25		Lowering, load/unload	mm/s	430/410	430/410	430/410	430/410
26	Drawbar pull	at 1.6 km/h, load	kg	9430	9350	10590	10520
27	Gradeability	at 1.6 km/h, load	%	42	36	36	32
WEIGHT			Full Cabin				
28	Total weight	Unload	kg	15190	16190	17995	18995
29	Axle load	with load, front/rear	kg	21985/3205	24960/3230	28630/3365	31525/3470
30		without load, front/rear	kg	7470/7720	7480/8710	8640/9355	8665/10330
CHASSIS							
31	Tires	Number of front/rear		4/2	4/2	4/2	4/2
32		Size, front		10.00X20-16PR	10.00X20-16PR	12.00X20-18PR	12.00X20-18PR
33		Size, rear		10.00X20-16PR	10.00X20-16PR	12.00X20-18PR	12.00X20-18PR
34	Wheel base		mm	3000	3000	3250	3250
35	Tread	Front/Rear	mm	1724/1860	1724/1860	1825/1910	1825/1910
36	Ground clearance	load, at the lowest point	mm	270	270	270	270
37		load, at center of wheelbase	mm	360	360	370	370
38	Brakes	Service brake		Disc	Disc	Disc	Disc
39		Parking brake		Rachet	Rachet	Rachet	Rachet
DRIVE							
40	Battery	Voltage/Capacity	V/AH	24/100	24/100	24/100	24/100
41	Engine	Manufacturer/Model		DI/DL06P	DI/DL06P	DI/DL06P	DI/DL06P
42		Rated output (at rpm)	ps/rpm	175/2100	175/2100	175/2100	175/2100
43			kW/rpm	128.7/2100	128.7/2100	128.7/2100	128.7/2100
44		Max. Torque	Nm/rpm	725.7/1400	725.7/1400	725.7/1400	725.7/1400
45	Transmission	Cycle/Cylinders/Displacement	cc	4/6/5890	4/6/5890	4/6/5890	4/6/5890
46		Type		Full Auto	Full Auto	Full Auto	Full Auto
47		No. speeds forward/reverse		3/3	3/3	3/3	3/3
47	Operating pressure	System/Attachment	bar	190/160	210/160	210/160	225/160

Note : Specification values quoted in this specification sheet has been rounded. Performance may vary due to operation conditions. Products and specifications are subject to improvement and change without prior notices.

# DIMENSIONAL DRAWING



# MAST SPECIFICATIONS and RATED CAPACITIES

## D100S-7

Mast type	Maximum Fork Height		Maximum Lowered Height		Fully Extended Height		Free Lift		Rated Load Capacities			
					With Load Backrest		With Load Backrest		D100S-7			
									Tilt Angle		Load Capacities	
					Double Pneumatic		Double Pneumatic					
									FWD	BWD	LC600mm	LC24in
	mm	in	mm	in	mm	in	mm	in	deg	deg	kg	lb
STD	3000	118	2965	117	4465	176	0	0	15	12	10000	22000
	3500	138	3215	127	4965	195	0	0	15	12	10000	22000
	4000	157	3465	136	5465	215	0	0	15	12	10000	22000
	4500	177	3715	146	5965	235	0	0	15	12	10000	22000
	5000	197	4165	164	6665	262	0	0	15	12	10000	22000
	5500	217	4415	174	7165	282	0	0	15	12	10000	22000
	6000	236	4665	184	7665	302	0	0	15	12	10000	22000
FFT	4000	118	2815	111	5500	217	1385	55	15	10	10000	22000
	4500	138	2980	117	6000	236	1550	61	15	10	10000	22000
	5000	157	3145	124	6500	256	1720	68	15	10	10000	22000
	5500	217	3315	131	7000	276	1885	74	15	10	10000	22000
	6000	236	3480	137	7500	295	2050	81	15	10	10000	22000

## D120S-7

Mast type	Maximum Fork Height		Maximum Lowered Height		Fully Extended Height		Free Lift		Rated Load Capacities			
					With Load Backrest		With Load Backrest		D120S-7			
									Tilt Angle		Load Capacities	
					Double Pneumatic		Double Pneumatic					
									FWD	BWD	LC600mm	LC24in
	mm	in	mm	in	mm	in	mm	in	deg	deg	kg	lb
STD	3000	118	2965	117	4465	176	0	0	15	12	12000	26450
	3500	138	3215	127	4965	195	0	0	15	12	12000	26450
	4000	157	3465	136	5465	215	0	0	15	12	12000	26450
	4500	177	3715	146	5965	235	0	0	15	12	12000	26450
	5000	197	4165	164	6665	262	0	0	15	12	12000	26450
	5500	217	4415	174	7165	282	0	0	15	12	12000	26450
	6000	236	4665	184	7665	302	0	0	15	12	12000	26450
FFT	4000	118	2815	111	5495	216	1400	55	15	10	12000	26450
	4500	138	2980	117	5995	236	1565	62	15	10	12000	26450
	5000	157	3145	124	6495	256	1735	68	15	10	12000	26450
	5500	217	3315	131	6995	275	1900	75	15	10	11800	25850
	6000	236	3480	137	7495	295	2065	81	15	10	11425	25850

Note : Mast Specifications & Rated Capacities are based on standard chassis with dual pneumatic tire and without side shifter.

## D140S-7

Mast type	Maximum Fork Height		Maximum Lowered Height		Fully Extended Height		Free Lift		Rated Load Capacities					
					D140S-7		With Load Backrest		With Load Backrest		Tilt Angle		Load Capacities	
					Double Pneumatic		Double Pneumatic		FWD		BWD		LC600mm	LC24in
					deg	deg	kg	lb						
	mm	in	mm	in	mm	in	mm	in	deg	deg	kg	lb		
STD	3000	118	3170	125	4670	184	0	0	15	12	14000	30850		
	3500	138	3420	135	5170	204	0	0	15	12	14000	30850		
	4000	157	3670	144	5670	223	0	0	15	12	14000	30850		
	4500	177	3920	154	6170	243	0	0	15	12	14000	30850		
	5000	197	4370	172	6870	270	0	0	15	12	14000	30850		
	5500	217	4620	182	7370	290	0	0	15	12	14000	30850		
	6000	236	4870	192	7870	310	0	0	15	12	13925	30500		
FFT	3700	146	2930	115	5330	210	1380	54	15	8	14000	30850		
	4000	157	3030	119	5630	222	1480	58	15	8	14000	30850		
	4500	177	3195	126	6130	241	1645	65	15	8	13950	30550		
	5000	197	3360	132	6630	261	1815	71	15	8	13525	29650		
	5500	217	3530	139	7130	281	1980	78	15	8	13100	28700		
	5500	217	3530	139	7130	281	1980	78	15	8	13100	28700		
	6000	236	3695	145	7630	300	2145	84	15	8	12675	27800		

## D160S-7

Mast type	Maximum Fork Height		Maximum Lowered Height		Fully Extended Height		Free Lift		Rated Load Capacities					
					D160S-7		With Load Backrest		With Load Backrest		Tilt Angle		Load Capacities	
					Double Pneumatic		Double Pneumatic		FWD		BWD		LC600mm	LC24in
					deg	deg	kg	lb						
	mm	in	mm	in	mm	in	mm	in	deg	deg	kg	lb		
STD	3000	118	3170	125	4670	184	0	0	15	12	16000	36000		
	3500	138	3420	135	5170	204	0	0	15	12	16000	36000		
	4000	157	3670	144	5670	223	0	0	15	12	16000	36000		
	4500	177	3920	154	6170	243	0	0	15	12	16000	36000		
	5000	197	4370	172	6870	270	0	0	15	12	16000	36000		
	5500	217	4620	182	7370	290	0	0	15	12	15950	34900		
	6000	236	4870	192	7870	310	0	0	15	12	15475	33950		
FFT	3700	146	2930	115	5330	210	1380	54	15	8	16000	35750		
	4000	157	3030	119	5630	222	1480	58	15	8	16000	35100		
	4500	177	3195	126	6130	241	1645	65	15	8	15525	34050		
	5000	197	3360	132	6630	261	1815	71	15	8	15075	33000		
	5500	217	3530	139	7130	281	1980	78	15	8	14600	31950		
	5500	217	3530	139	7130	281	1980	78	15	8	14600	31950		
	6000	236	3695	145	7630	300	2145	84	15	8	14150	30950		

Note : Mast Specifications & Rated Capacities are based on standard chassis with dual pneumatic tire and without side shifter.

2016 June



Doosan Corporation Industrial Vehicles  
Web site : [www.doosan-iv.com](http://www.doosan-iv.com)

AUTHORIZED DEALER